

# Horizontal Test Jack Insulated Standard

**SPECIFICATIONS**

**Contact:** Copper aluminum alloy\*

**Finish:** Gold or Silver

**Body:** Nylon 6/6 per ASTM D4066

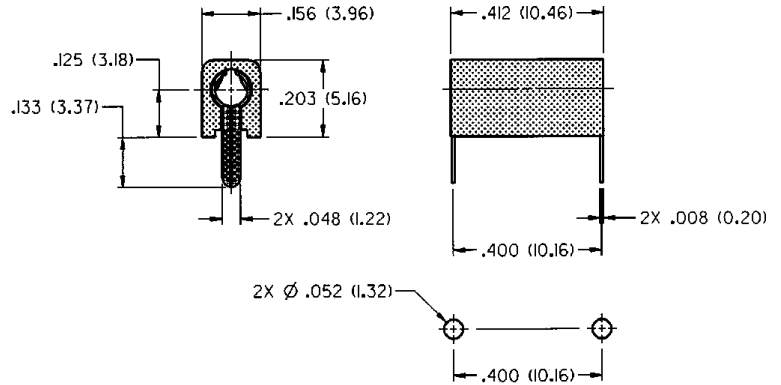
**RATINGS**

**Current:** 5 amps

**Breakdown Voltage:** 2100 Vrms minimum †

**Contact Resistance:** Gold: 0.005 ohms maximum  
Silver: 0.010 ohms maximum

**Adjacent Jack C:** 1 pF maximum at 1 MHz



MOUNTING HOLE LAYOUT

|                       |     |
|-----------------------|-----|
| <b>SILVER PLATING</b> |     |
| 105-0752-001          | Red |

**For Standard Tip Plug: .080 (2.00) Diameter**

**FEATURES:**

- Contact protected from flux and solder
- Probe access from both ends or top
- Nylon UL approved for self extinguishing

\* A new material development that, for this application, meets or exceeds beryllium copper.